



BROAD AGENCY ANNOUNCEMENT (BAA)

High Power Solid State Circuit Protection for Power Distribution and Energy Storage

The purpose of this amendment is to: 1) Respond to questions submitted from 7 JUN 2013 to 27 JUN 2013; and 2) Make revisions to the BAA as a result of questions and answers.

Questions and Answers are provided as follows:

Question 9: Are you interested in two products, one for 1000 VDC and the second is for 20 kVDC?

Answer 9: The BAA specifies both performance metrics and deliverables for Phase 1 and Phase 2 respectively. Organizations should respond to these requirements in their proposals. Proposals must respond to the Phase 1 metric of Voltage Range (kVDC) of greater than 1000 volts (> 1kVDC), and should describe the offerors' plans to provide the Phase 1 deliverables listed in Paragraph 6, "Research Opportunity Description," subparagraph entitled "Program Deliverables" on pages 10 and 11 of the BAA. Additionally, proposals must respond to the Phase 2 metric of Voltage Range (kVDC) of greater than 20,000 volts (> 20kVDC), and should describe the offerors' plans to provide the Phase 2 deliverables listed in Paragraph 6, "Research Opportunity Description," subparagraph entitled "Program Deliverables" on pages 11 and 12 (for Phase 2 deliverables) of the BAA (for Phase 2 deliverables).

Question 10: Is phase I supposed to have the same concept as phase II except it is subscale in voltage and current?

Answer 10: Yes.

Question 11: Is the 20 kV +/- 10 kV or is it 20 kV in each pole?

Answer 11: The voltage is +/- 10kV in each pole. However, each contact (pole) must be able to withstand the full 20kVDC voltage in the event of a ground fault on both the upstream and downstream sides of the device.

ONR BAA Announcement # ONRBAA13-016
Amendment 0002

Question 12: Can you supply us with a current vs time plot that shows the onset of faults. I am interested in understanding how does the current pulse changes from nominal current to a fault current. Has this been determined yet?

Answer 12: This information has not been determined.

Question 13: Is the source impedance during fault for the various sources been determined? If yes what is it for the various sources listed?

Answer 13: Referring the Figure 2 of the BAA, proposers are expected to make a best case engineering estimate of the network impedance based on the enumerated loads.

Question 14: What is the expected life of this device, and what are the total number of cycles that are expected, under normal open/close and under faults?

Answer 14: For both Phase 1 and Phase 2, devices to be produced are for proof of concept and eventual transition to the acquisition community for further development. Specific criteria for testing, including numbers of cycles and similar elements, will be per the performers' respective test plans. These plans will be delivered to and approved by the government prior to the government-observed testing.

Question 15: When is safety isolation (open – dry contact) required? During maintenance of downstream circuitry?

Answer 15: Yes.

Question 16: Regarding Evaluation criteria, the announcement mentions 4 (5) criteria while only 4 are listed, what is the fifth evaluation criteria?

Answer 16: Answered in Amendment 0001.

Question 17: Regarding Evaluation criteria, The announcement states the 4 criteria are of equal weights, but the paragraph following the evaluation criteria list seems to imply that cost realism and reasonableness have a higher weight. Can you clarify that part

Answer 17: Answered in Amendment 0001.

Question 18: On Page 6 of the BAA it is stated that the Proposal needs to provide a safety analysis. It would be appreciated if “Safety Analysis” be clarified. Is it referring to human safety or to ship safety or to electrical distribution safety or equipment safety.

Answer 18: Regarding the BAA requirement to provide safety/hazard analysis to support this project, proposers should respond to the requirements of the BAA for deliverables for Phase 1 (Deliverable 5) and Phase 2 (Deliverable 4), per the safety/hazard analysis provisions - including definitions - of the references provided therein. Proposals should describe the offeror's plans for addressing safety throughout their Phase 1 and Phase 2 efforts. A safety/hazard analysis is not required within the proposal itself.

ONR BAA Announcement # ONRBAA13-016
Amendment 0002

Question 19: Regarding ONR BAA 13-0016 ("High Power Solid State Circuit Protection for Power Distribution and Energy Storage"), I wanted to clarify whether AC or DC circuit protection is desired as part of this BAA. The BAA mostly discusses HVDC operation, but we certainly see a need / opportunity for AC Fault Protection as well.

Answer 19: This BAA is focused only on DC applications of novel circuit protection technology.

Question 20: Can you please confirm for me if a novel AC FCL design would be of interest or considered non-responsive? If it is of interest, I would also like to know the target specifications and performance level for such a device.

Answer 20: A proposal addressing only an AC design would be considered non-responsive.

Question 21: We have two fundamentally different technical concepts that we would like to propose for this BAA ... Is there any limit to the number of separate proposals we can submit?

Answer 21: No, there is no limit to the number of proposals an individual company may submit. Any proposal submitted, to be considered, must stand on its own in addressing the entirety of the BAA requirements, i.e., no proposal can cross-reference in any way to another proposal.

Question 22: The BAA states on page 11 under Instrument Type(s) that the award will be issued as Contracts and the ONR reserves the right to award a different instrument type if deemed to be in the best interest of the Government. Has ONR made a decision as to what type of contract will be awarded, specifically is a CPFF anticipated? And can ONR identify its preferred method of contracting with industry for this effort?

Answer 22: The award of CPFF type contracts is anticipated; however, ONR does reserve the right to award a different instrument type if deemed to be in the best interest of the Government. See change to BAA Section I, "General Information," subsection 8, "Instrument Type."



BROAD AGENCY ANNOUNCEMENT (BAA)

High Power Solid State Circuit Protection for Power Distribution and Energy Storage

Revisions to the BAA, as a result of the Questions and Answers provided above, are in bold red text below:

Table of Contents

The following information presents the basic organization of this document as well as the location of significant information:

- I. General Information
 - 1. Agency Name
 - 2. Research Opportunity Title
 - 3. Program Name
 - 4. Research Opportunity Number
 - 5. Response Date
 - 6. Research Opportunity Description
 - 7. Points of Contact
 - 8. Instrument Type
 - 9. Catalog of Federal Domestic Assistance (CFDA) Number
 - 10. Catalog of Federal Domestic Assistance (CFDA) Titles
 - 11. Other Information
- II. Award Information
 - 1. Amount and Period of Performance
 - 2. Production and Testing of Prototypes
- III. Eligibility Information

ONR BAA Announcement # ONRBAA13-016
Amendment 0002

- IV. Application and Submission Information
 - 1. Application and Submission Process
 - 2. Content and Format of Full Proposals
 - 3. Significant Dates and Times
 - 4. Submission of Late Proposals
 - 5. Address for the Submission of Full Proposals for Contracts
- V. Evaluation Information
 - 1. Evaluation Criteria
 - 2. Commitment to Small Business
 - 3. Options
 - 4. Evaluation Panel
- VI. Award Administration Information
 - 1. Administrative Requirements
 - 2. EDA
 - 3. Certification Regarding Lobbying Activities
- VII. Other Information
 - 1. Government Property/Government Furnished Equipment (GFE) and Facilities
 - 2. Security Classification
 - 3. Use of Animals and Human Subjects in Research
 - 4. Recombinant DNA
 - 5. Use of Arms, Ammunition and Explosives
 - 6. Department of Defense High Performance Computing Program
 - 7. Organizational Conflicts of Interest
 - 8. Project Meetings and Reviews
 - 9. Executive Compensation and First-Tier Subcontract Reporting
 - 10. Combating Trafficking in Persons
 - 11. Updates of Information regarding Responsibility Matters
 - 12. Employment Eligibility Verification
 - 13. Intellectual Property
 - 14. Other Guidance, Instructions and Information

ONR BAA Announcement # ONRBAA13-016
Amendment 0002

Right?!
Same h

INTRODUCTION:

This publication constitutes a Broad Agency Announcement (BAA) as contemplated in Federal Acquisition Regulation (FAR) 6.102(d)(2) and 35.016. A formal Request for Proposals (RFP), other solicitation, or additional information regarding this announcement will not be issued.

The Office of Naval Research (ONR) will not issue paper copies of this announcement. The ONR reserves the right to fund all, some or none of the proposals received under this BAA. ONR provides no funding for direct reimbursement of proposal development costs. Technical and cost proposals (or any other material) submitted in response to this BAA will not be returned. It is the policy of ONR to treat all proposals as sensitive competitive information and to disclose their contents only for the purposes of evaluation.

I. GENERAL INFORMATION:

1. Agency Name - Office of Naval Research

2. Research Opportunity Title - High Power Solid State Circuit Protection for Power Distribution and Energy Storage

3. Program Name - High Power Solid State Circuit Protection for Power Distribution and Energy Storage

4. Research Opportunity Number – ONRBAA13-016

5. Response Date -

Full Proposals: 7/24/2013

6. Research Opportunity Description -

Background

Driven by emerging mission scenarios, the Navy is developing advanced shipboard electrical power architectures for advanced high power and energy weapons and sensors. A fundamental attribute and key enabling technology of an electrical architecture is its ability to provide circuit protection during a casualty while maintaining continuity of power to non-faulted loads. The Navy envisions future ship-based electrical architectures which will continue to have a mixture of AC, DC and high frequency AC energy distribution throughout the platform, all operating within prescribed shipboard safety parameters. Circuit protection, within each of these distribution systems, ranges from time-current curves of conventional circuit breakers to advanced current limiting techniques through use of solid-state power-conversion modules.

ONR BAA Announcement # ONRBAA13-016
Amendment 0002

The enabling technology under investigation in this BAA will be one or more electrical circuit protection devices capable of handling high power medium voltage direct current (MVDC) aspects for surface ship electrical architectures, incorporating several potential subsystems. Figures 1 and 2 describe a notional electrical ship architecture that would enable safe power to multiple high loads. Of the locations identified in the Figures, some may or may not require protection devices based upon the characteristics of the upstream converters and the circuit protection methodology employed.

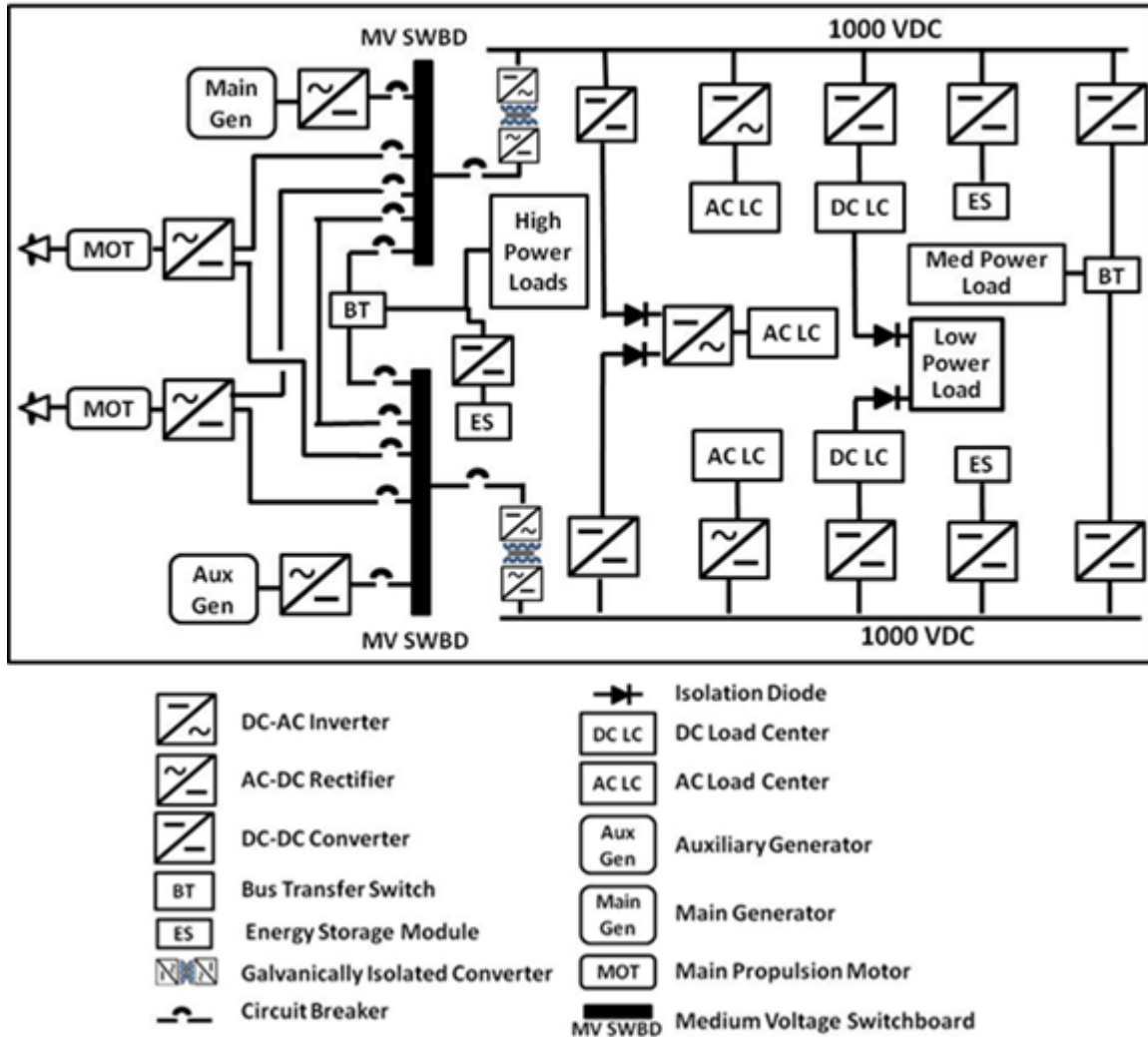


Figure 1. Notional Naval Ship Electrical Architecture (MVDC Ring Bus)
 (Note: circuit protection anticipated in switchboards and load centers are denoted as "AC LC" and "DC LC")

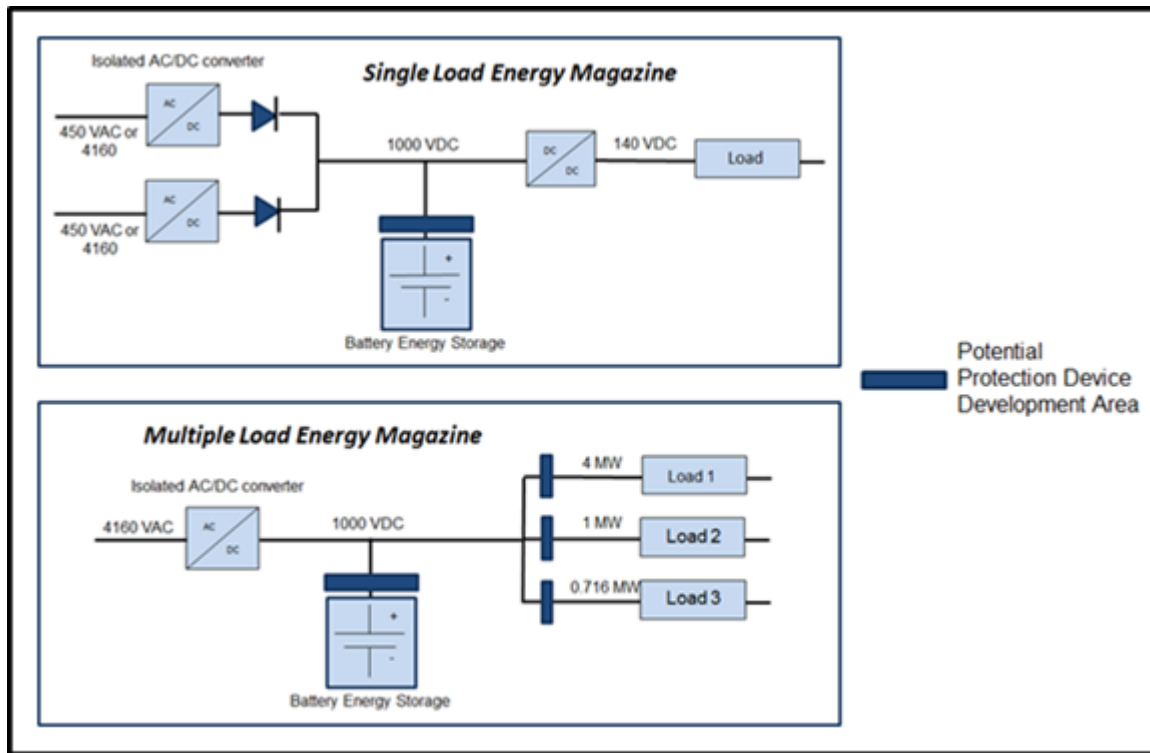


Figure 2. Notional Energy Magazine Mission Load Interface for single and multiple loads

Electrical fault protection can be approached from several aspects, given the basis that electrical sources take a finite time to produce current magnitudes that start below or at their typical continuous rated load current, and increase to some maximum available fault current. Today the standard fault detection and clearing method employed by most Navy surface ships takes longer than the time it takes for the combined electrical sources feeding the fault to reach their maximum available fault current. For 60Hz AC power systems, this typically happens within the first quarter cycle of the 60Hz waveform (4ms). As a result, the protective equipment must be designed to withstand this fault current for the period of time it takes to accurately detect the fault and initiate fault clearing. It must then be able to physically open up the fault current path and absorb or redirect the fault energy created in the clearing process. This current withstand time and energy absorption level may be increased by the need to selectively coordinate two or more circuit protective devices in series with such a fault, so that the device closest to the fault does the clearing in order to minimize disruptions to non-faulted loads. The upstream device has to withstand the fault while waiting for the downstream device to clear the fault. For Navy shipboard source and bus-tie breakers, this coordination requirement typically requires the breakers closest to the ship's prime power sources to withstand a current magnitude as high as 100kA for upwards of two seconds before clearing the fault. The existing equipment is relatively large, expensive and slow to respond but in most cases, it is reliable and fail-safe. The relatively slow response means that electrical faults will create large voltage disruptions that extend beyond the faulted bus segment(s) for as long as it takes to detect and clear the fault. Electrical loads sensitive to these disruptions must be protected from their effects, typically with dedicated uninterruptible power supplies (UPS) located in their proximity.

ONR BAA Announcement # ONRBAA13-016
Amendment 0002

The slow response time of this approach can also lead to improper protective device coordination under certain circumstances (some of which may be unique to Navy systems). For example, the electrical equipment located in tightly integrated ship's compartments is vulnerable to collateral damage from catastrophic equipment failure or battle damage. Debris radiating from such events can cut into and damage electrical conductors, creating multiple short circuits or arcing faults as the damage spreads. The source current is spread among these multiple paths, resulting in current magnitudes that may be below fault detection thresholds needed to trigger the localized protection device. As a result, a breaker closer to the electrical source may need to clear the fault, resulting in a wider than necessary power outage.

This BAA seeks protective systems that can detect and clear a fault before the source's maximum available fault current level is reached. A higher speed detection/clearing method may be able to make such a scenario look like individual fault events that are independently detected and cleared as they occur in real time. This would prevent mis-coordination and allow non-faulted loads to remain on line. Given the same 4ms scenario described above for a 60Hz AC system, if a protective device were available that could detect and clear in less than 1 ms, the peak fault current to be withstood, and the associated fault energy to be absorbed or redirected, would be significantly reduced. This would result in less stress on the power system and a potential reduction in the size of the equipment, while assuring personnel safety. This approach also requires coordination of the fault detection and clearing between multiple devices, such that the protective device closest to the fault isolates the fault.

In addition to the specific S&T performance capabilities, proposers are expected to conduct a safety analysis of the technology concept. Any proposal that does not provide a specific full system solution, as well as a safety analysis, will not be considered.

Program Description

The objective of the High Power Solid State Circuit Protection for Power Distribution and Energy Storage project is to develop circuit protection methods and components that allow fast switching and are compatible with the Navy's Next Generation Power System. Table 1 shows metrics for the circuit protection devices to be developed under this BAA.

ONR BAA Announcement # ONRBAA13-016
Amendment 0002

Attribute / Parameter	Phase 1 Metrics	Note
Response Time (ms)	< 1 ms	Includes detection through complete response
Power Density (MW/m ³)	> 18 MW/m ³	
Efficiency	> 99.5%	Overall device
Maximum Fault Current (Amps)	> 80,000 A	
Continuous Current Range (Amps)	> 1,000 A	
Voltage Range (kVDC)	> 1 kVDC	
False (Nuisance) Trips	< 5%	
Safety Isolation	Open-Dry Contact	
Shunt Trip Capability	Yes	5 - 30 Volt Control signal or Optical signal
Conduction / Break Capability	Bi-directional / Both poles	Both poles need to break full voltage and current
Source Operation	Generators, Converters, Energy Storage	Transformer rectifier, voltage source converter; Batteries and capacitors
Attribute / Parameter	Phase 2 Metrics	Note
Response Time (ms)	< 0.5 ms	Includes detection through complete response
Power Density (MW/m ³)	> 25 MW/m ³	
Efficiency	> 99.8%	Overall device
Maximum Fault Current (Amps)	> 80,000 A	
Continuous Current Range (Amps)	> 4,000 A	
Voltage Range (kVDC)	> 20 kVDC	
False (Nuisance) Trips	< 5%	
Safety Isolation	Open-Dry Contact	
Shunt Trip Capability	Yes	5 - 30 Volt Control signal or Optical signal
Conduction / Break Capability	Bi-directional / Both poles	Both poles need to break full voltage and current
Source Operation	Generators, Converters, Energy Storage	Transformer rectifier, voltage source converter; Batteries and capacitors

Table 1. Metrics for High Power Solid State Circuit Protection for Power Distribution and Energy Storage Future Naval Capabilities (FNC) Project

The overall goal is to develop this circuit protection technology to Technology Readiness Level (TRL) 6. This program will use a two-phased approach with a down select at the end of Phase 1. A single proposal is being requested from each offeror to cover the Phase 1, Phase 1 Option, and Phase 2 Option periods of performance.

Phase 1: Up to four (4) vendors may be selected to perform Phase 1. Phase 1 may be up to an 18-month period of performance that must be capable of meeting the Phase 1 metrics in Table 1, including delivered prototype circuit breakers tested to a TRL 5 level.

During Phase 1, the selected offeror(s) shall plan on attending a kickoff meeting in the Washington DC area as well as hosting one (1) design review and semi-annual site visits by

ONR BAA Announcement # ONRBAA13-016
Amendment 0002

Government personnel periodically throughout the period of performance. During the Phase 2 Option, the selected offeror shall plan on attending a kickoff meeting in the Washington, DC area and hosting yearly design reviews and semi-annual site visits by government personnel periodically throughout the period of performance.

Phase 1 Option: Up to a 3-month period of performance during which the selected performers will compile lessons learned from Phase 1 and incorporate them into their respective plans and designs of the Phase 2 circuit breaker development. Decisions for continuation for Phase 1 performers to proceed to the Phase 1 Option will be based on the degree to which performer respective Phase 1 results meet the Phase 1 metrics (Table 1), and their respective Phase 1 deliverables.

Phase 2 Option: One vendor from Phase 1 Option may be selected for the Phase 2 Option. The Phase 2 Option may be up to a 36 month period of performance and satisfy the Phase 2 metrics in Table 1 up to a TRL 6.

Program Deliverables

Phase 1 Deliverables:

1. Provide an analysis of the technology proposed for the circuit protection devices that meet Table 1 metrics to determine its feasibility. The analysis shall:

- a. Identify critical factors which need to be mitigated through simulation and/or hardware demonstrations to verify the feasibility of meeting the metrics provided in Table 1.
- b. Analyze the proposed circuit protection device coordination scheme.

2. Provide a projected unit cost for the 1,000th circuit breaker and a projected system life cycle cost analysis.

3. Provide a MathWorks Simulink® model of the proposed circuit protection solution and simulation results reports. Run the model to simulate the application of the proposed circuit protection device in ship architecture shown in Figure 1. The simulation should address coordination with up to 6 devices in series for a variety of normal operating, bi-directional, and faulted scenarios such as, bolted faults, high impedance faults, ground faults, arc faults and voltage spike. This model should have sufficient control fidelity to enable the analysis of a comprehensive coordination scheme that encompasses the entire range of circuit protection applications for Figure 1.

4. Provide a metric validation test plan for the circuit protection devices planned for delivery.

5. Provide preliminary Hazard/Safety Analysis using MIL-STD-882D as guidance; format shall be in accordance with DI-SAFT 80101B

6. Build, and conduct metric validation testing up to a level TRL 5 on, three (3) circuit protection devices. The metric validation testing shall be vendor conducted and witnessed by the

ONR BAA Announcement # ONRBAA13-016
Amendment 0002

government. Testing must demonstrate coordination capability, defined as the ability to respond to faults in a range of response times (i.e. 1ms to trip, 1.5ms to trip, 2.0ms to trip etc.) across a variety of sources and with a variety of faults. Representative sources are defined in Figure 1. Representative faults include bolted faults, high impedance faults, ground faults, arc faults and voltage spike.

7. Deliver three (3) circuit protection devices that meet or exceed Table 1 Phase 1 metrics; these shall be three devices that successfully completed the testing in the preceding deliverable.

8. Provide the following program monitoring reports:

- a. Quarterly Financial Status Reports with planned, actual and cumulative expenditures.
- b. Quarterly Schedule Progress and Technical Performance Reports.
- c. Final Technical Report.

Phase 1 Option Deliverables:

1. Report of Phase 1 lessons learned, including any impacts that could influence the original path proposed for Phase 2.

Phase 2 Option Deliverables:

1. Provide a MathWorks Simulink® model of the proposed circuit protection device and simulation results reports. This model should have sufficient control fidelity to enable the analysis of a comprehensive coordination scheme that encompasses the entire range of circuit protection applications. Run the model to simulate the application of the proposed circuit protection device in ship architecture shown in Figure 1. The simulation should address coordination with up to 6 devices in series for a variety of normal operating, bi-directional, and faulted scenarios such as, bolted faults, high impedance faults, ground faults, arc faults and voltage spike. This simulation should address a variety of sources and loads identified for Phase 2 in Table 1, for radial and zonal/networked distribution architectures, and address the widest variety of coordination and protection scenarios possible to demonstrate the robust nature of the protective relaying and coordination algorithms fundamental to the proposed protection philosophy.

2. Provide a projected unit cost for the 1,000th circuit breaker and a projected life cycle cost analysis.

3. Provide a metric validation test plan for the circuit protection devices planned for delivery.

4. Provide Hazards Assessment using MIL-STD-882D as guidance; format shall be in accordance with DI-SAFT 80101B.

5. Build, and conduct metric validation testing on, three (3) circuit protection devices. The metric validation testing shall be vendor conducted and witnessed by the government. Testing must demonstrate coordination capability, defined as the ability to respond to faults in a range of

ONR BAA Announcement # ONRBAA13-016
Amendment 0002

response times (i.e., 1ms to trip, 1.5ms to trip, 2.0ms to trip etc.) across a variety of sources and with a variety of faults. Representative sources are defined in Figure 1. Representative faults include bolted faults, high impedance faults, ground faults, arc faults and voltage spike.

6. Deliver three (3) circuit protection devices that meet or exceed Table 1 Phase 2 metrics; these shall be three devices that successfully completed the testing in the preceding deliverable. Included with delivery shall be metric validation test reports.

7. Provide the following program monitoring reports:

- a. Quarterly financial status reports with planned, actual and cumulative expenditures
- b. Quarterly Schedule Progress and Technical Performance Reports
- c. Final Technical Performance Report.

Additional Guidance

The U.S. Navy is looking for affordable and safe solutions and is trying to change the present paradigm of having to use expensive, Navy-unique hardware and software. Offerors must be aware of state-of-the-art developments and employ commercial-off-the-shelf (COTS) technology to the greatest extent possible. Whenever known, Offerors should address the ability of the device to achieve shock and vibration requirements shipboard. Offerors should address whether their devices will meet this requirement with minimal modifications.

7. Point(s) of Contact -

Questions of a technical nature should be submitted to:

Technical Primary Point of Contact:

Mr. Joseph Borraccini

Program Officer

Office of Naval Research, ONR 331

One Liberty Center, Room 665

875 N. Randolph St.

Arlington, VA 22203-5660

Tel: (703) 696-7823 (VA office)/(215)-897-8797 (PA Office)

Fax: (703) 696-0308 (VA Office)/215-897-8380 (PA Office)

E-mail: joseph.borraccini@navy.mil

Technical Secondary Point of Contact:

Ms. Sharon Beermann-Curtin

Program Officer

Office of Naval Research, ONR 33

One Liberty Center, Room 665

875 N. Randolph St.

Arlington, VA 22203-5660

Tel: (703) 696-4321

ONR BAA Announcement # ONRBAA13-016
Amendment 0002

Fax: (703) 696-0308

E-mail: Sharon.beermanncurti@navy.mil Questions of a business nature should be submitted to:

ONR Contracts Primary Point of Contact:

Ms. Heather Land

Contract Specialist

Office of Naval Research, ONR 253

One Liberty Center, Room 1267D

875 N. Randolph St.

Arlington, VA 22203-5660

Tel: (703) 696-0946

E-mail: heather.land@navy.mil

Questions of a security nature should be submitted to:

Diana Pacheco

Industrial Security Specialist

Office of Naval Research Security

Department, Code 43

One Liberty Center

875 N. Randolph Street

Arlington, VA 22203-1995

Email Address: diana.pacheco@navy.mil

Any CLASSIFIED questions shall be handled through the ONR Security POC. Specifically, any entity wanting to ask a CLASSIFIED question shall send an email to the ONR Security POC with copy to both the Technical POC and the Business POC stating that the entity would like to ask a CLASSIFIED question. DO NOT EMAIL ANY CLASSIFIED QUESTIONS. The Security POC will contact the entity and arrange for the CLASSIFIED question to be asked through a secure method of communication.

Any questions regarding this solicitation must be provided to the Technical Point of Contact and Business Point of Contact listed in this solicitation. All questions shall be submitted in writing by electronic mail.

Questions submitted within 2 weeks prior to a deadline may not be answered, and the due date for submission of the full proposal will not be extended.

Amendments will be posted to one or more of the following webpages:

- Federal Business Opportunities (FEDBIZOPPS) Webpage - <https://www.fbo.gov/>
- ONR Broad Agency Announcement (BAA) Webpage - <http://www.onr.navy.mil/en/Contracts-Grants/Funding-Opportunities/Broad-Agency-Announcements.aspx>

ONR BAA Announcement # ONRBAA13-016
Amendment 0002

8. Instrument Type(s) - Contracts

Awards will be issued as cost-type Contracts. ONR reserves the right to award a different instrument type if deemed to be in the best interest of the Government.

Any contract awards resulting from this BAA will incorporate the most current FAR, DFARs, NMCARS and ONR clauses. Examples of model contracts can be found on the ONR website at the following link: <http://www.onr.navy.mil/Contracts-Grants/submit-proposal/contracts-proposal/contract-model-awards.aspx>.

9. Catalog of Federal Domestic Assistance (CFDA) Numbers -

RESERVED

10. Catalog of Federal Domestic Assistance (CFDA) Titles -

RESERVED

11. Other Information -

Work funded under a BAA may include basic research, applied research and some advanced technology development (ATD). With regard to any restrictions on the conduct or outcome of work funded under this BAA, ONR will follow the guidance on and definition of "contracted fundamental research" as provided in the Under Secretary of Defense (Acquisition, Technology and Logistics) Memorandum of 24 May 2010. As defined therein the definition of "contracted fundamental research", in a DoD contractual context, includes [research performed under] grants and contracts that are (a) funded by Research, Development, Test, and Evaluation Budget Activity 1 (Basic Research), whether performed by universities or industry or (b) funded by Budget Activity 2 (Applied Research) and performed on campus at a university. The research shall not be considered fundamental in those rare and exceptional circumstances where the applied research effort presents a high likelihood of disclosing performance characteristics of military systems or manufacturing technologies that are unique and critical to defense, and where agreement on restrictions have been recorded in the contract or grant.

Pursuant to DoD policy, research performed under grants and contracts that are a) funded by Budget Activity 2 (Applied Research) and NOT performed on-campus at a university or b) funded by Budget Activity 3 (Advanced Technology Development) does not meet the definition of "contracted fundamental research." In conformance with the USD(AT&L) guidance and National Security Decision Direction 189, ONR will place no restriction on the conduct or reporting of unclassified "contracted fundamental research," except as otherwise required by statute, regulation or Executive Order. For certain research projects, it may be possible that although the research being performed by the prime contractor is restricted research, a subcontractor may be conducting "contracted fundamental research." In those cases, it is the *prime contractor's responsibility* in the proposal to identify and describe the subcontracted unclassified research and include a statement confirming that the work has been scoped, negotiated, and determined to be fundamental research

ONR BAA Announcement # ONRBAA13-016
Amendment 0002

according to the prime contractor and research performer.

Normally, fundamental research is awarded under grants with universities and under contracts with industry. ATD is normally awarded under contracts and may require restrictions during the conduct of the research and DoD pre-publication review of research results due to subject matter sensitivity.

In regards to the present BAA, the Research and Development efforts to be funded will consist of applied research and advanced technology development. The funds available to support awards are Budget Activity 2 and 3.

FAR Part 35 restricts the use of Broad Agency Announcements (BAAs), such as this, to the acquisition of basic and applied research and that portion of advanced technology development not related to the development of a specific system or hardware procurement. Contracts made under BAAs are for scientific study and experimentation directed towards advancing the state of the art and increasing knowledge or understanding.

THIS ANNOUNCEMENT IS NOT FOR THE ACQUISITION OF TECHNICAL, ENGINEERING AND OTHER TYPES OF SUPPORT SERVICES.

II. AWARD INFORMATION

1. Amount and Period of Performance-

Although subject to official fiscal appropriations, ONR anticipates that this High Power Solid State Circuit Protection for Power Distribution and Energy Storage project, part of the Power and Energy Future Naval Capabilities (P&E FNC) program, will be funded at a level of \$2M-\$5M/year for the period FY14 - FY18. The total program funding under this BAA is anticipated to be approximately \$17M.

Phase 1: Up to four (4) vendors may be selected to perform Phase 1. Phase 1 may be up to an 18-month period of performance.

Phase 1 Option: Up to a 3-month period of performance for those Phase 1 performers who meet the Phase 1 Option criteria in the Research Opportunity Description.

Phase 2 Option: One vendor from the Phase 1 Option may be selected for the Phase 2 Option. The Phase 2 may be up to a 36 month period of performance.

Phase 1/Option and Phase 2 are incrementally funded by this BAA. Funding available for Phase 1 and Phase 1 /Option combined for each performers is estimated at up to \$1.5-\$2 million dollars each. Funding available for the Phase 2 Option performer is estimated at up to \$9-\$11 million dollars.

2. Production and Testing of Prototypes-

ONR BAA Announcement # ONRBAA13-016
Amendment 0002

In the case of funded proposals for the production and testing of prototypes, ONR may during the contract period add a contract line item or contract option for the provision of advanced component development or for the delivery of additional prototype units. However, such a contract addition shall be subject to the limitations contained in Section 819 of the National Defense Authorization Act for Fiscal Year 2010 or any related subsequent legislation.

III. ELIGIBILITY INFORMATION

All responsible sources from academia and industry may submit proposals under this BAA. Historically Black Colleges and Universities (HBCUs) and Minority Institutions (MIs) are encouraged to submit proposals and join others in submitting proposals. However, no portion of this BAA will be set aside for HBCU and MI participation.

Federally Funded Research & Development Centers (FFRDCs), including Department of Energy National Laboratories, are not eligible to receive awards under this BAA. However, teaming arrangements between FFRDCs and eligible principal offerors are allowed so long as they are permitted under the sponsoring agreement between the Government and the specific FFRDC.

Navy laboratories and warfare centers as well as other Department of Defense and civilian agency laboratories are also not eligible to receive awards under this BAA and should not directly submit full proposals in response to this BAA. If any such organization is interested in one or more of the areas of research described herein, the organization should contact an appropriate ONR POC to discuss its area of interest. The various scientific divisions of ONR are identified at <http://www.onr.navy.mil/>. As with FFRDCs, these types of federal organizations may team with other responsible sources from academia and industry that are submitting proposals under this BAA.

University Affiliated Research Centers (UARC) are eligible to submit proposals under this BAA unless precluded from doing so by their Department of Defense UARC contracts.

Teams are also encouraged and may submit proposals. However, Offerors must be willing to cooperate and exchange software, data and other information in an integrated program with other contractors, as well as with system integrators, selected by ONR.

Some topics cover export controlled technologies. Research in these areas is limited to "U.S. persons" as defined in the International Traffic in Arms Regulations (ITAR) - 22 CFR § 1201.1 et seq.

IV. APPLICATION AND SUBMISSION INFORMATION

1. Application and Submission Process - Full Proposals

ONR BAA Announcement # ONRBAA13-016
Amendment 0002

Only unclassified, full proposals shall be submitted; no White Papers will be considered. Full proposals are due at 2:00 PM (EDT) Wednesday, 24 July 2013. As soon as the full proposal evaluation process is completed by ONR's scientific/technical community, Offerors will be notified via email as to whether their proposal was or was not recommended for award. This notification is estimated to be provided on or about 9/13/2013. (For related information on proposal recommendations, see the last paragraph in Section V.1.)

2. Content and Format of Full Proposals -

Full Proposals submitted under the BAA are expected to be unclassified. If it is discovered that the proposal is classified, it may not be considered for award.

Unclassified Proposal Instructions:

Unclassified Full Proposals shall be submitted in accordance with Section IV. Application and Submission Information.

Proposal submissions will be protected from unauthorized disclosure in accordance with FAR Subpart 15.207, applicable law, and DoD/DoN regulations. Offerors are expected to appropriately mark each page of their submission that contains proprietary information.

IMPORTANT NOTE: Titles given to the Full Proposals should be descriptive of the work they cover and not be merely a copy of the title of this solicitation.

FULL PROPOSALS

INSTRUCTIONS FOR CONTRACTS (Does not include Grants)

NOTE: Submission instructions for BAAs issued after FY 2010 have changed significantly from previous requirements. Potential Offerors are advised to carefully read and follow the instructions below. The new format and requirements have been developed to streamline and ease both the submission and the review of proposals.

Proposal Package: The following four documents with attachments comprise a complete proposal package:

- (1) Technical Proposal Template (pdf)*
- (2) Technical Content (word)*
- (3) Cost Proposal Spreadsheet (excel)*
- (4) Adequacy Checklist for Pre Award Audit (SF 1408) (as applicable)*

These documents can be found at: <http://www.onr.navy.mil/Contracts-Grants/submit-proposal/contracts-proposal/cost-proposal.aspx>.

Note that Technical Proposal Template may have questions related to “Central Contractor

ONR BAA Announcement # ONRBAA13-016
Amendment 0002

Registry (CCR)” and/or “Online Representations and Certifications (ORCA)”. If such references to either exists, these questions should be answered as if the question reads “System for Award Management (SAM)” instead of CCR or ORCA. The SAM website is at <https://www.sam.gov/>.

All have instructions imbedded into them that will assist in completing the documents. Also, both the Technical Proposal Template and the Cost Proposal Spreadsheet require completion of cost-related information. Please note that attachments can be incorporated into the Technical Proposal Template for submission.

The format requirements for any attachments are as follows:

- Paper Size- 8.5 x 11 inch paper
- Margins – 1 inch
- Spacing- single or double spaced
- Font- Times New Roman, 12 point
- Technical Content to be included in the standard Word template mentioned above is limited to no more than 20 pages. The cover page, table of contents, and resumes are excluded from the page limitations. Full Proposals exceeding the page limit may not be evaluated. The Technical Proposal Template (pdf file) is not included in the page limitations specified above. There are no page limitations for the Cost Proposal.

The Cost Proposal Spreadsheet can be found by following this link:

<http://www.onr.navy.mil/Contracts-Grants/submit-proposal/contracts-proposal/cost-proposal.aspx>. Click on the "proposal spreadsheet" link and save a copy of the spreadsheet.

Instructions for completion have been embedded into the spreadsheet. The two options (Phase 1 Option and Phase 2 Option) specified in Section I.6 must be separately priced from the base effort and separate spreadsheets shall be provided for the base period and each of the two option periods along with a fourth summary spreadsheet of all three periods combined. Any proposal that does not fully price out all three periods in the Cost Proposal Spreadsheet may not be further evaluated. In addition to providing costs by period of performance (base and options), the Contractor is also responsible for providing a breakdown of cost for each task identified in the Statement of Work. The sum of all costs by task worksheets MUST equal the total cost summary.

For proposed subcontracts or inter-organizational transfers over \$150,000, Offerors must provide a separate fully completed Cost Proposal Spreadsheet in support of the proposed costs. This spreadsheet, along with supporting documentation, must be provided either in a sealed envelope with the prime’s proposal or via e-mail directly to both the Program Officer and the Business Point of Contact at the same time the prime proposal is submitted. The e-mail should identify the proposal title, the prime Offeror and that the attached proposal is a subcontract, and should include a description of the effort to be performed by the subcontractor. Offerors should also familiarize themselves with the new subcontract reporting requirements set forth in Federal Acquisition Regulation (FAR) clause 52.204-10, Reporting Executive Compensation and First-Tier Subcontract Awards. The pertinent requirements can be found in Section VII, Other Information, of this document.

ONR BAA Announcement # ONRBAA13-016
Amendment 0002

Offerors should submit one (1) original, plus 7 hard copies and one (1) electronic copy on CD-ROM of their proposal package. The electronic copy should be submitted in a secure, pdf-compatible format, except for the electronic file for the Cost Proposal Spreadsheet which should be submitted in a Microsoft Excel 2007 compatible format. All attachments should be submitted in a secure, pdf-compatible format.

The secure pdf-compatible format is intended to prevent unauthorized editing of the proposal prior to any award. A password should not be required for opening the proposal document, but the Government must have the ability to print and copy text, images, and other content. Offerors may also submit their Technical Proposal Template and Technical Content in an electronic file that allows for revision (preferably in Microsoft Word) to facilitate the communication of potential revisions. Should an Offeror amend its proposal, the amended proposal should be submitted following the same hard and electronic copy guidance applicable to the original proposal.

The electronic submission of the Excel spreadsheet should be in a "useable condition" to aid the Government with its evaluation. The term "useable condition" indicates that the spreadsheet should visibly include and separately identify within each appropriate cell any and all inputs, formulas, calculations, etc. The Offeror should not provide "value only spreadsheets" similar to a hard copy.

3. Significant Dates and Times -

Event	Date	Time
Full Proposal Due Date	7/24/2013	2:00 PM Eastern Daylight Time
Notification of Selection: Full Proposals*	9/20/2013	
Awards*	3/01/2014	

**These dates are estimates as of the date of this announcement.*

NOTE: Due to changes in security procedures since September 11, 2001, the time required for hard-copy written materials to be received at the Office of Naval Research has increased. Materials submitted through the U.S. Postal Service, for example, may take seven days or more to be received, even when sent by Express Mail. Thus any hard-copy proposal should be submitted long enough before the deadline established in the solicitation so that it will not be received late and thus be ineligible for award consideration.

4. Submission of Late Proposals -

Any proposal, modification, or revision that is received at the designated Government office after the exact time specified for receipt of proposals is "late" and will not be considered unless it is received before award is made, the contracting officer determines that accepting the late proposal would not unduly delay the acquisition and:

- a. If it was transmitted through an electronic commerce method authorized by the

ONR BAA Announcement # ONRBAA13-016
Amendment 0002

announcement, it was received at the initial point of entry to the Government infrastructure not later than 5:00 P.M. one working day prior to the date specified for receipt of proposals; or

- b. There is acceptable evidence to establish that it was received at the Government installation designated for receipt of proposals and was under the Government's control prior to the time set for receipt of proposals; or
- c. It was the only proposal received.

However, a late modification of an otherwise timely and successful proposal that makes its terms more favorable to the Government will be considered at any time it is received and may be accepted.

Acceptable evidence to establish the time or receipt at the Government installation includes the time/date stamp of that installation on the proposal wrapper, other documentary evidence of receipt maintained by the installation, or oral testimony or statements of Government personnel.

If an emergency or unanticipated event interrupts normal Government processes so that proposals cannot be received at the Government office designated for receipt of proposals by the exact time specified in the announcement, and urgent Government requirements preclude amendment of the announcement closing date, the time specified for receipt of proposals will be deemed to be extended to the same time of day specified in the announcement on the first work day on which normal Government processes resume.

The contracting officer must promptly notify any offeror if its proposal, modifications, or revision was received late and must inform the offeror whether its proposal will be considered.

5. Address for the Submission of Full Proposals for Contracts -

Hard Copies of the Full Proposal and the DVD or CD-ROM of the Full Proposal should be sent to the Office of Naval Research as indicated below. All supporting documentation should be submitted with the DVD or CD-ROM of the Full Proposal. Emailed or faxed proposals will not be accepted.

Primary Contact	Secondary Contact
Office of Naval Research Attn: Joseph Borraccini ONR Department Code: 331 875 North Randolph Street Arlington, VA 22203-1995	Office of Naval Research Attn: Sharon Beermann-Curtin ONR Department Code: 33 875 North Randolph Street Arlington, VA 22203-1995

V. EVALUATION INFORMATION

1. Evaluation Criteria -

Awards under this BAA will be made to proposers on the basis of the evaluation criteria listed

ONR BAA Announcement # ONRBAA13-016
Amendment 0002

below, and program balance to provide overall value to the Government. The Government reserves the right to request any additional, necessary documentation once it makes the award instrument determination. The Government reserves the right to remove proposers from award consideration should the parties fail to reach agreement on award terms, conditions, and cost/price within a reasonable time, or the proposer fails to timely provide requested additional information. Evaluations will be conducted using the following evaluation criteria.

1. Overall scientific and technical merits of the proposal with regard to:
 - A. The soundness of the offeror's technical concept to meet or exceed the Phase 1 and Phase 2 metrics;
 - B. The degree of innovation; and
 - C. Projected unit cost and life cycle cost of the proposed circuit protection device. Any new Life Cycle cost factors (such as periodic maintenance and obsolescence management) that need to be considered upon introduction of the new technology into fleet application
2. Offeror's capabilities, related experience, and past performance, including the qualifications, capabilities and experience of the proposed principal investigator and personnel, with regard to:
 - A. The quality of the principal investigator and of the technical personnel proposed;
 - B. The offeror's experience and past performance in relevant efforts with similar resources;
 - C. The ability to manage the proposed effort; and
 - D. The offeror's experience in transitioning new technologies to a military product, as well as to commercial customers.
3. Proposed schedule.
4. The realism of the proposed costs and availability of funds.

Overall, the technical factors 1 - 3 above are significantly more important than the cost factor, with the technical factors all being of equal value. The degree of importance of cost will increase with the degree of equality of the proposals in relation to the other factors on which selection is to be based, or when the cost is so significantly high as to diminish the value of the proposal's technical superiority to the Government.

Industry-Academia Partnering - ONR highly encourages partnering among industry and academia with a view toward speeding the incorporation of new science and technology into fielded systems. Proposals that utilize industry-academic partnering which enhances the development of novel S&T advances will be given favorable consideration.

Industry-Government Partnering - ONR highly encourages partnering among industry and Government with a view toward speeding the incorporation of new science and technology into fielded systems. Proposals that utilize industry-Government partnering which enhances the development of novel S&T advances will be given favorable consideration

The ultimate recommendation for award of proposals is made by ONR's scientific/technical community. Recommended proposals will be forwarded to the contracts department will perform costs analysis prior to any ensuing negotiations. Any notification received from ONR that

ONR BAA Announcement # ONRBAA13-016
Amendment 0002

indicates that the Offeror's full proposal has been recommended, does not ultimately guarantee an award will be made. This notice indicates that the proposal has been selected in accordance with the evaluation criteria above and has been sent to the contracting department to conduct cost analysis, determine the offeror's responsibility, and any take any other relevant steps necessary prior to commencing negotiations with the offeror.

2. Commitment to Small Business - (For Contract Awards Only)

The Office of Naval Research is strongly committed to providing meaningful subcontracting opportunities for small businesses, small disadvantaged businesses (SDBs), woman-owned small businesses (WOSBs), historically underutilized business zone (HUBZone) small businesses, veteran-owned small business (VOSBs), service disabled veteran-owned small businesses (SDVOSBs), historically black colleges and universities, and minority institutions, and other concerns subject to socioeconomic considerations through its awards.

a.) Subcontracting Plan - For proposed awards to be made as contracts that exceed \$650,000, large businesses and non-profits (including educational institutions) shall provide a Subcontracting Plan that contains all elements required by FAR 52.219-9, as supplemented by DFARS 252.219-7003. Small businesses are exempt from this requirement.

The Subcontracting Plan should be submitted as an attachment to the “Technical Proposal Template” and will not be included in the page count. If a company has a Master Subcontracting Plan, as described in FAR 19.701 or a Comprehensive Subcontracting Plan, as described in DFARS 219.702, a copy of the plan shall also be submitted as an attachment to the “Technical Proposal Template.”

Plans will be reviewed for adequacy, ensuring that the required information, goals, and assurances are included. Zero Percent (0%) for goals, or Zero Dollars (\$0), or Not Applicable (N/A), are unacceptable. If a subcontracting plan is not submitted with the proposal package or the negotiation of an acceptable subcontracting plan is required, there could be a delay in the issuance of an award. In addition, in accordance with FAR 52.219-9, failure to submit and negotiate a subcontracting plan may make an offeror ineligible for contract award.

Offerors shall propose a plan that ensures small businesses (inclusive of SDBs, WOSBs, HUBZone, VOSBs and SDVOSBs, etc.) will have the maximum practicable opportunity to participate in contract performance consistent with its efficient performance.

As a baseline, offerors shall to the best extent possible propose realistic goals to ensure small business participation in accordance with the current fiscal year subcontracting goals found on the Department of Defense Office of Small Business Program website at:

<http://www.acq.osd.mil/osbp/> If proposed goals are below the statutory requirements, then the offeror should provide a viable written explanation as to why small businesses are unable to be utilized and what attempts have been taken to ensure that small business were given the opportunity to participate in the effort to the maximum extent practicable.

ONR BAA Announcement # ONRBAA13-016
Amendment 0002

All offerors who become subsequent awardees will submit the Individual Subcontract Report (ISR) (formerly SF294), and the Summary Subcontract Report (SSR) (formerly the SF295) using the Electronic Subcontracting Reporting System (eSRS) at: <http://www.esrs.gov>, following the instructions in the eSRS. In addition subsequent awardees shall adhere to the following;

* The ISR shall be submitted semi-annually during contract performance for the periods ending March 31 and September 30. A report is also required for each contract within 30 days of contract completion. Reports are due 30 days after the close of each reporting period, unless otherwise directed by the contracting officer. Reports are required when due, regardless of whether there has been any subcontracting activity since the inception of the contract or the previous reporting period.

*The SSR shall be submitted as follows: The report shall be submitted semi-annually for the six months ending March 31 and the twelve months ending September 30. When selecting the appropriate department/agency under “agency to which this report is submitted”, choose from the second drop-down menu, which includes Department of the Navy (1700) (Note: do not select from below the departments/agencies (component) listed beyond the second drop-down menu). Include the following email addresses: OSBP.info@navy.mil which will provide notification to the Navy SSR Program Coordinator regarding the submission of the SSR.

* Ensure that its subcontractors with subcontracting plans agree to submit the ISR and/or the SSR using the eSRS;

*Provide its prime contract number, its DUNS number, and the e-mail address of the offeror’s official responsible for acknowledging receipt of or rejecting the ISRs to all first-tier subcontractors with subcontracting plans so they can enter this information into the eSRS when submitting their ISRs; and

*Require that each subcontractor with a subcontracting plan provide the prime contract number, its own DUNS number, and the e-mail address of the subcontractor’s official responsible for acknowledging receipt of or rejecting the ISRs, to its subcontractors with subcontracting plans.

b.) Small Business Participation Statement –

If subcontracting opportunities exist, all prime Offerors shall submit a Small Business Participation Statement regardless of size in accordance with DFARS 215.304 when receiving a contract for more than the simplified acquisition threshold (i.e., \$150,000). All offerors shall provide a statement of the extent of the offeror’s commitment in providing meaningful subcontracting opportunities for small businesses and other concerns subject to socioeconomic considerations through its awards and must agree that small businesses, VOSBs, SDVOSBs, HUBZones, SDBs, and WOSBs concerns will have to the maximum practicable opportunity to participate in contract performance consistent with its efficient performance.

This assertion will be reviewed to ensure that it supports this policy by providing meaningful subcontracting opportunities. The statement should be submitted as a part of the proposal

ONR BAA Announcement # ONRBAA13-016
Amendment 0002

package and will not be included in the page count.

c.) Subcontracting Resources -

Subcontracting to a prime contractor can be a good way to participate in the contracting process. Large businesses with prime contracts exceeding \$650,000 (except for construction, which is \$1.5 million) must provide a plan with subcontracting opportunities for all categories of small business.

In accordance with FAR Subpart 5.206, entities may transmit a notice to a Government Point of Entry (GPE) to seek competition for subcontracts, to increase participation by qualified HUBZone small business, small, small disadvantaged, women-owned small business, veteran-owned small business and service-disabled veteran-owned small business concerns is encouraged, and to meet established subcontracting plan goal as follows:

- (1) A contractor awarded a contract exceeding \$150,000 that is likely to result in the award of any subcontracts;
- (2) A subcontractor or supplier, at any tier, under a contract exceeding \$150,000, that has a subcontracting opportunity exceeding \$15,000.

The notices must describe—

- (1) The business opportunity;
- (2) Any prequalification requirements; and
- (3) Where to obtain technical data needed to respond to the requirement.

An example of a GPE is the Small Business Administration's (SBA) SUB-Net database which is a listing of subcontracting solicitations and opportunities posted by large prime contractors and other non-federal agencies. SUB-Net is a place where prime contractors may post solicitations or sources sought notices for small business.

To advertise or to locate potential subcontracting opportunities, go to SUB-Net' at <http://web.sba.gov/subnet/search/index.cfm> , where you will be able to post or review the site to identify subcontracting opportunities that are in your area of expertise. It's easy to search by all solicitations or simply by entering in the NAICS Code of the industry you are interested in searching for a subcontract.

In addition, the following is a list of potential Subcontracting Resources that may assist in locating potential subcontracting partners/opportunities:

*Companies Participating in DoD Subcontracting Program Report – www.acq.osd.mil/osbp/docs/primes2010.csv

*DAU Small Business Community of Practice (SB COP) - <https://acc.dau.mil/smallbusiness>

ONR BAA Announcement # ONRBAA13-016
Amendment 0002

*DefenseLink ≥ \$5M award notices - www.defenselink.mil/contracts

*Dynamic Small Business Search (DSBS) - http://dsbs.sba.gov/dsbs/search/dsp_dsbs.cfm

*Electronic Subcontracting Reporting System (eSRS) - www.esrs.gov

*FEDBIZOPPS - www.fbo.gov

*Navy SBIR/STTR Search - <https://www.navysbirsearch.com/> or brochure:

<https://www.navysbirsearch.com/docs/AutonomyBrochure.pdf> Can use a variety of search methods, including concept, keyword and category. Tool can assist with facilitating partnerships between small and large and small businesses (If you require additional assistance in how to search for a particular concept, forward an email to: 02_OSBContact@onr.navy.mil with a subject line: "Navy SBIR/STTR Search". The email address of the Navy SBIR/STTR POC who can possibly aid in locating the technology that your company is seeking will be provided).

*Procurement Technical Assistance Centers (PTAC) -

<http://www.dla.mil/SmallBusiness/Pages/ProcurementTechnicalAssistanceCenters.aspx>

*SBA Subcontracting Opportunities Directory -

www.sba.gov/aboutsba/sbaprograms/gc/contacts/index.html

*SBA Subnet - A place where Prime Contractors post "solicitation" or "notice of sources sought" (NSS) for small business -

<http://web.sba.gov/subnet/search/index.cfm?CFID=24832446&CFTOKEN=e306d5c1e81faf81-657E0799-C277-05F7-9C7FDBE0EDA36451&jsessionid=30305c76a72a19b44e0a33275668261f1239>

*Subcontracting Opportunities with DoD Major Prime Contractors -

www.acq.osd.mil/osbp/sb/dod.shtml

*Tips for DoD contractors Submitting Subcontracting Reports -

www.acq.osd.mil/osbp/docs/tips_for_contractors_subcontracting.pdf

3. Options -

The Government will evaluate options for award purposes by adding the total cost for all options to the total cost for the basic requirement. Evaluation of options will not obligate the Government to exercise the options during the period of performance.

4. Evaluation Panel -

Technical and cost proposals submitted under this BAA will be protected from unauthorized disclosure in accordance with FAR 3.104-4 and 15.207. The cognizant Program Officer and other Government scientific experts will perform the evaluation of technical proposals. Restrictive

ONR BAA Announcement # ONRBAA13-016
Amendment 0002

notices notwithstanding, one or more support contractors may be utilized as subject-matter-expert technical consultants. However, proposal selection and award decisions are solely the responsibility of Government personnel. Each support contractor's employee having access to technical and cost proposals submitted in response to this BAA will be required to sign a non-disclosure statement prior to receipt of any proposal submissions.

VI. AWARD ADMINISTRATION INFORMATION

1. Administrative Requirements -

- The North American Industry Classification System (NAICS) code - The NAICS code for this announcement is "541712" with a small business size standard of "500 employees".
- System for Award Management (SAM): All Offerors submitting proposals or applications must:
 - (a) be registered in SAM prior to submission;
 - (b) maintain an active SAM registration with current information at all times during which it has an active Federal award or an application under consideration by any agency; and
 - (c) provide its DUNS number in each application or proposal it submits to the agency.

The System for Award Management (SAM) is a free web site that consolidates the capabilities you used to find in CCR/FedReg, ORCA, and EPLS. Future phases of SAM will add the capabilities of other systems used in Federal procurement and awards processes. SAM may be accessed at <https://www.sam.gov/portal/public/SAM/>

- Access to your Contract Award

Effective 01 October 2011, hard copies of award/modification documents will no longer be mailed to Offerors. All Office of Naval Research (ONR) award/modification documents will be available via the Department of Defense (DoD) Electronic Document Access System (EDA).

2. EDA -

EDA is a web-based system that provides secure online access, storage, and retrieval of awards and modifications to DoD employees and vendors.

If you do not currently have access to EDA, you may complete a self-registration request as a "Vendor" via <http://eda.ogden.disa.mil> following the steps below:

Click "New User Registration" (from the left Menu)
Click "Begin VENDOR User Registration Process"
Click "EDA Registration Form" under Username/Password (enter the appropriate data)
Complete & Submit Registration form

ONR BAA Announcement # ONRBAA13-016
Amendment 0002

Allow five (5) business days for your registration to be processed. EDA will notify you by email when your account is approved.

Registration questions may be directed to the EDA help desk toll free at 1-866-618-5988, Commercial at 801-605-7095, or via email at cscassig@csd.disa.mil (Subject: EDA Assistance)

VII. OTHER INFORMATION

1. Government Property/Government Furnished Equipment (GFE) and Facilities -

Government research facilities and operational military units are available and should be considered as potential government-furnished equipment/facilities. These facilities and resources are of high value and some are in constant demand by multiple programs. It is unlikely that all facilities would be used for any one specific program. The use of these facilities and resources will be negotiated as the program unfolds. Offerors submitting proposals for contracts should indicate in the Technical Proposal Template, Section II, Blocks 8 and 9, which of these facilities are critical for the projects success.

2. Security Classification -

In order to facilitate intra-program collaboration and technology transfer, the Government will attempt to enable technology developers to work at the unclassified level to the maximum extent possible. If it is determined that access to classified information will be required during the performance of an award, a Department of Defense (DD) Form 254 will be attached to the contract; and FAR 52.204-2 - Security Requirements will be incorporated into the contract. The Offeror must clearly identify such need by completing Section II, Block 11, DD 254 – Security Classification Specification, of the Technical Proposal Template.

If it is determined that access to classified information will be required during the performance of an award, a Department of Defense (DD) Form 254 will be attached to the contract; and FAR 52.204-2 – Security Requirements will be incorporated into the contract.

3. Use of Animals and Human Subjects in Research -

RESERVED

4. Recombinant DNA -

RESERVED

5. Use of Arms, Ammunition and Explosives -

RESERVED

ONR BAA Announcement # ONRBAA13-016
Amendment 0002

6. Department of Defense High Performance Computing Program -

The DoD High Performance Computing Program (HPCMP) furnishes the DoD S&T and RDT&E communities with use-access to very powerful high performance computing systems. Awardees of ONR contracts, grants, and assistance instruments may be eligible to use HPCMP assets in support of their funded activities if ONR Program Officer approval is obtained and if security/screening requirements are favorably completed. Additional information and an application may be found at <http://www.hpcmo.hpc.mil/>.

7. Organizational Conflicts of Interest (OCI) -

All Offerors and proposed subcontractors must affirm whether they are providing scientific, engineering, and technical assistance (SETA) or similar support to any ONR technical office(s) through an active contract or subcontract. All affirmations must state which office(s) the offeror supports and identify the prime contract numbers. Affirmations shall be furnished at the time of proposal submission. All facts relevant to the existence or potential existence of organizational conflicts of interest (FAR 9.5) must be disclosed. The disclosure shall include a description of the action the offeror has taken or proposes to take to avoid, neutralize, or mitigate such conflict. In accordance with FAR 9.503 and without prior approval, a contractor cannot simultaneously be a SETA and a research and development performer. Proposals that fail to fully disclose potential conflicts of interests or do not have acceptable plans to mitigate identified conflicts will be rejected without technical evaluation and withdrawn from further consideration for award. Additional ONR OCI guidance can be found at <http://www.onr.navy.mil/About-ONR/compliance-protections/Organizational-Conflicts-Interest.aspx>. If a prospective offeror believes that any conflict of interest exists or may exist (whether organizational or otherwise), the offeror should promptly raise the issue with ONR by sending his/her contact information and a summary of the potential conflict by e-mail to the Business Point of Contact in Section I, item 7 above, before time and effort are expended in preparing a proposal and mitigation plan. If, in the sole opinion of the Government after full consideration of the circumstances, any conflict situation cannot be effectively avoided, the proposal may be rejected without technical evaluation and withdrawn from further consideration for award under this BAA.

8. Project Meetings and Reviews -

Individual program reviews between the ONR sponsor and the performer may be held as necessary. Program status reviews may also be held to provide a forum for reviews of the latest results from experiments and any other incremental progress towards the major demonstrations. These meetings will be held at various sites throughout the country.

9. Executive Compensation and First-Tier Subcontract Reporting –

The FAR clause 52.204-10, “Reporting Executive Compensation and First-Tier Subcontract Awards,” will be used in all procurement contracts valued at \$25,000 or more. A similar award term will be used in all grants and cooperative agreements.

ONR BAA Announcement # ONRBAA13-016
Amendment 0002

10. Combating Trafficking in Persons - Appropriate language from FAR Clause 52.222-50 will be incorporated in all awards.

11. Updates of Information regarding Responsibility Matters –

FAR clause 52.209-9, Updates of Publicly Available Information Regarding Responsibility Matter, will be included in all contracts valued at \$500,000 where the contractor has current active Federal contracts and grants with total value greater than \$10,000,000.

12. Employment Eligibility Verification –

As per FAR 22.1802, recipients of FAR-based procurement contracts must enroll as Federal Contractors in E-verify to verify employment eligibility of all employees assigned to the award. All resultant contracts from this solicitation will include FAR 52.222-54, “Employment Eligibility Verification.” This clause will not be included in grants, cooperative agreements or other transactions.

13. Intellectual Property -

Offerors responding to this BAA must submit a separate list of all technical data or computer software that will be furnished to the Government with other than unlimited rights. The Government will assume unlimited rights if offerors fail to identify any intellectual property restrictions in their proposals. Include in this section all proprietary claims to results, prototypes, and/or deliverables. If no restrictions are intended, then the offeror should state “NONE.”

14. Central Contractor Registration (CCR)

FAR 52.204-7 Central Contractor Registration and FAR 52.204-13 Central Contractor Registration Maintenance are incorporated into this BAA, and FAR 52.204-13 will be incorporated in all awards.